

STANDARDIZED LED LIGHT

The new LED matching solution for visual color control that exceeds critical ISO 3664:2009 and ISO 3668 standards.



Externally, similar to its predecessors, internally the power of JUST LED technology revolutionizes color viewing with D50 and D65 standardized light.

Homogeneous. Reliable. ISO compliant.

- Ideal for critical color assessment and quality assurance
- Switchable light: D50 und D65 according to ISO 3664 and ISO 3668
- UV content can be enabled or disabled for either illuminant regarding new and old ISO standard
- Continuously dimming and USB connection for soft proofing applications
- No color shifts while dimming
- No preheating after turning on
- Long lifespan of 50,000 hours (compared to 2,500 hours with fluorescent lamps)
- Stable light output during the entire lifespan
- Annual relamping not required
- Extremely homogeneous as well as glare- and reflection-free illumination, thanks to Fresnel-type prismatic lens
- Best for format: 70 x 100 cm

Reliable evaluation of colored surfaces.

- Plastics
- Coatings
- Paper
- Ceramics
- Textiles
- Metals
- Powder
- All kinds of colored and fluorescent substrates

Best for critical color decisions.

The new LED proofStation achieves the best conformance to the D50 and D65 illuminants available today, insuring accurate color judgements. With JUST LED technologies, a mix of multiple colored LEDs, and system controls, this viewing solution has a more harmonious and complete light spectrum than even our ISO-spec fluorescent lamps.

Coupled with instant-on, infinite dimming, UV on/off, zero maintenance, reduced power consumption, minimal heat output, no mercury waste – at virtually the same price as the prior technology, the JUST LED moduLight is a cost-effective powerhouse.

- Fogra certified to ISO 3664:2009
- 2000 lux illuminance according to ISO standard
- Color Rendering Index (CRI) $R_a \geq 95$
- Exact color coordinates (10°):
D50: $x = 0,3478 / y = 0,3595$
($\leq 0,002$)
D65: $x = 0,3138 / y = 0,3309$
($\leq 0,002$)
- Low metamerism index in the visible range: $\leq 0,8$ (Mlvis)
- Low metamerism index in the UV range: $\leq 0,6$ (Mluv)

JUST LED moduLight 2-1200

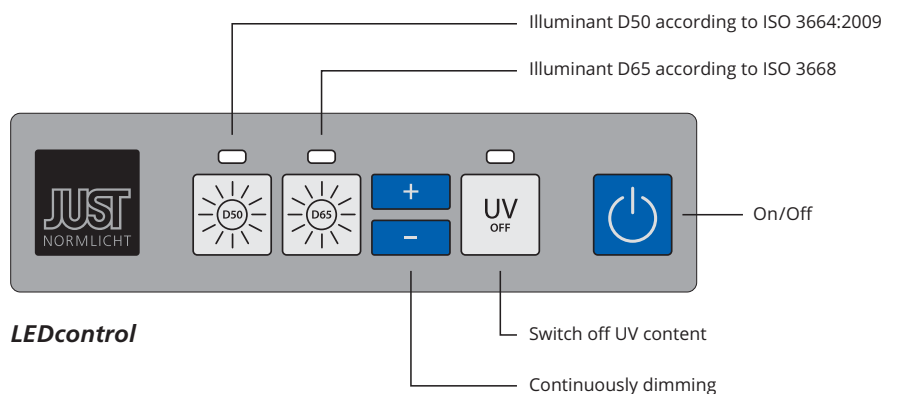
- Standard illumination area:
100x70 cm (WxD)
- Outside dimensions:
133,5 x 11 x 37,5 cm (WxHxD)
- Two LED modules
- Including steel cables for suspending from the ceiling
- Item No.: 201291

Relamping is a thing of the past.

No operating hours meter, no expensive replacement lamps, no time lost, and no more red warning lamps mean significantly lower lifetime cost of ownership. Now you can match colors without worrying about the age of your lamps or their replacement schedule up to 50,000 operating hours.

More than just dimming. Soft proofing with LED.

You will be amazed by the continuity of the light color even at low illuminance levels. The numerous calibration levels make for stable color characteristics regardless of the dimming level. The USB interface enables you to easily adjust the brightness between the monitor and LED lamp for perfectly matched viewing conditions.



LED color matching station.

Full color matching solutions with a wide variety of equipment options from entry-level up to professional color viewing stations with cabinets and soft proofing equipment are available.

www.just-normlicht.com